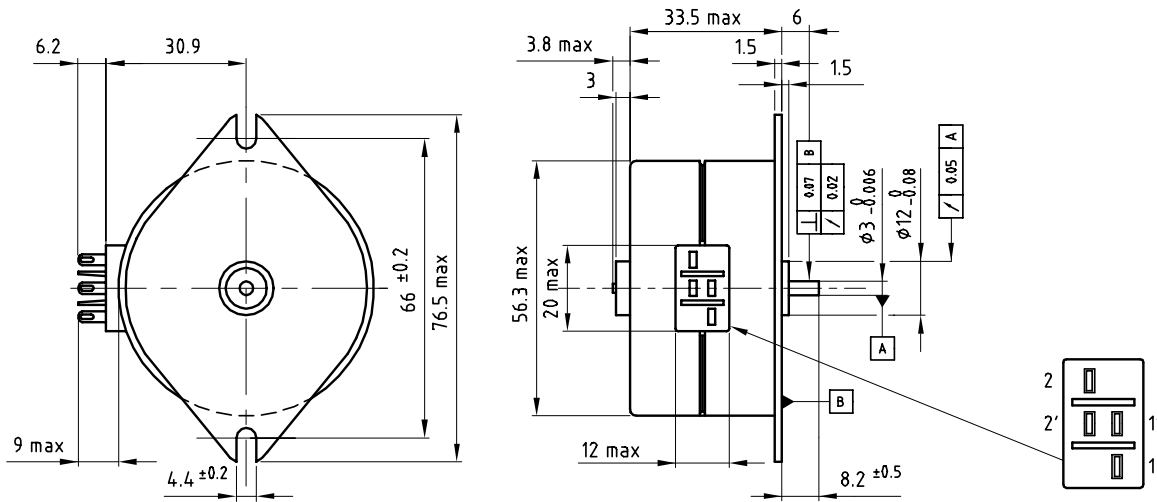


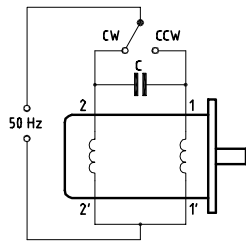
Dimensional drawing



Motor data

Motor order number		9904 111 +	36504	36404	36304	36104
Nominal Voltage	[V]	24	48	110	220	
Frequency	[Hz]	50	50	50	50	
Speed	[rpm]	500	500	500	500	
Current	[mA]	280	140	60	30	
Input Power	[W]	6	6	6	6	
Working Torque	[mNm]	33	33	33	33	
Torque derating	[%/K]	-0.4	-0.4	-0.4	-0.4	
Temperature rise of the motor	[°C]	55	55	55	55	
Duty factor	[%]	50	50	50	50	
Required phasing capacitor C (MKT-type)	Capacity	[uF]	18	4.7	0.82	0.22
	Permissible a.c. voltage	[V]	≥63	≥100	≥250	≥400

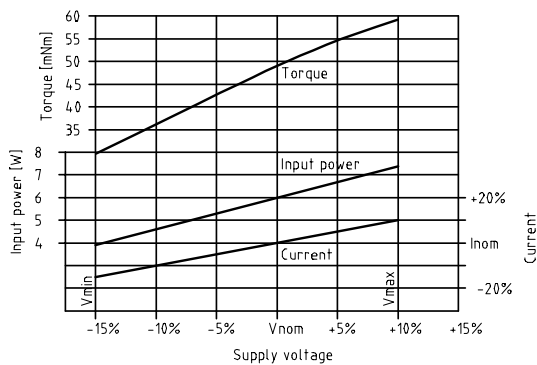
Electrical Connection



General data

x	Permissible voltage fluctuations	-15 to +10	%
x	Type of bearings	sleeve	
x	Maximum radial load	10	N
x	Maximum axial load	1.5	N
x	Ambient temp. range operating	-20/+70	°C
x	Ambient temp. range storage	-40/+100	°C
x	Mass of motor	300	g

Performance curve



Product combinations

- x Gearbox S70A
- x Gearbox S70B

