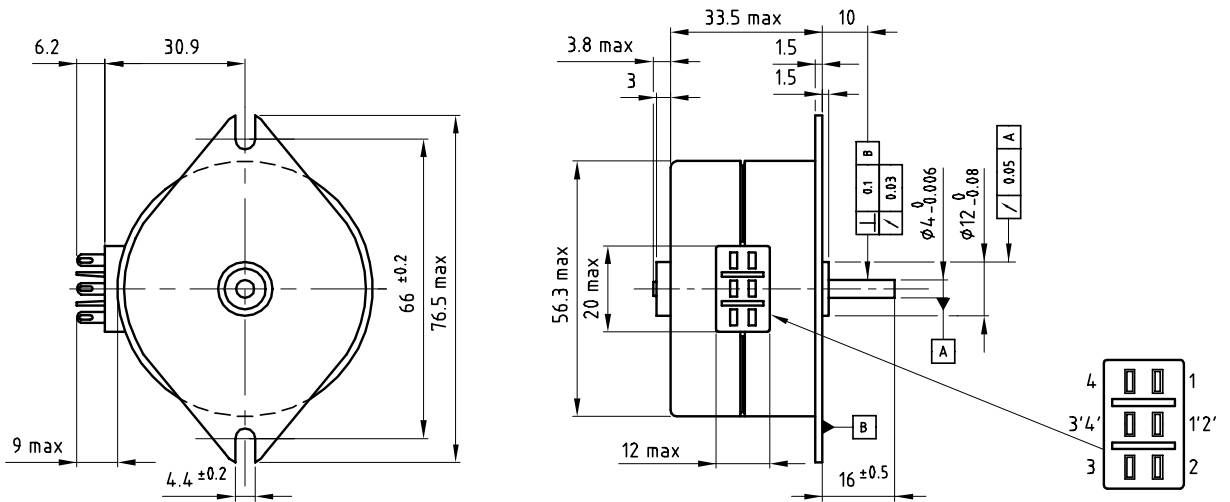


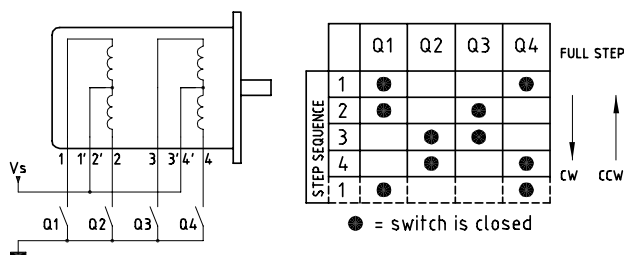
## Dimensional drawing



## Motor data

Motor order number	9904 112 +	36114	36014	
Number of phases		4	4	
Drive Electronics		Unipolar	Unipolar	
Nominal Voltage	[V]	5	12	
Number of steps per revolution		24	24	
Step angle	[°]	15	15	
Step angle tolerance	[°]	± 0.7	± 0.7	
Max. working Torque	[mNm]	37	32	
Holding Torque	[mNm]	60	60	
Absorbed power	[W]	5.3	5.3	
Resistance per phase	[Ω]	7.7	4.7	
Inductance per phase	[mH]	27	170	
Current per phase	[mA]	575	240	
Thermal resistance winding-ambient	[K/W]	10	10	
Rotor Moment of Inertia	[kgm <sup>2</sup> ]	4.5x10 <sup>-6</sup>	4.5x10 <sup>-6</sup>	

## Electrical Connection



## General data

x	Type of bearings	sleeve	
x	Maximum radial load	10	N
x	Maximum axial load	1.5	N
x	Ambient temp. range operating	-20/+70	°C
x	Ambient temp. range storage	-40/+100	°C
x	Mass of motor	300	g

## Product combinations

- x Gearbox S70A (Motor shaft must be  $\phi 3 \times 8.2$ )
- x Gearbox S70B (Motor shaft must be  $\phi 3 \times 8.2$ )