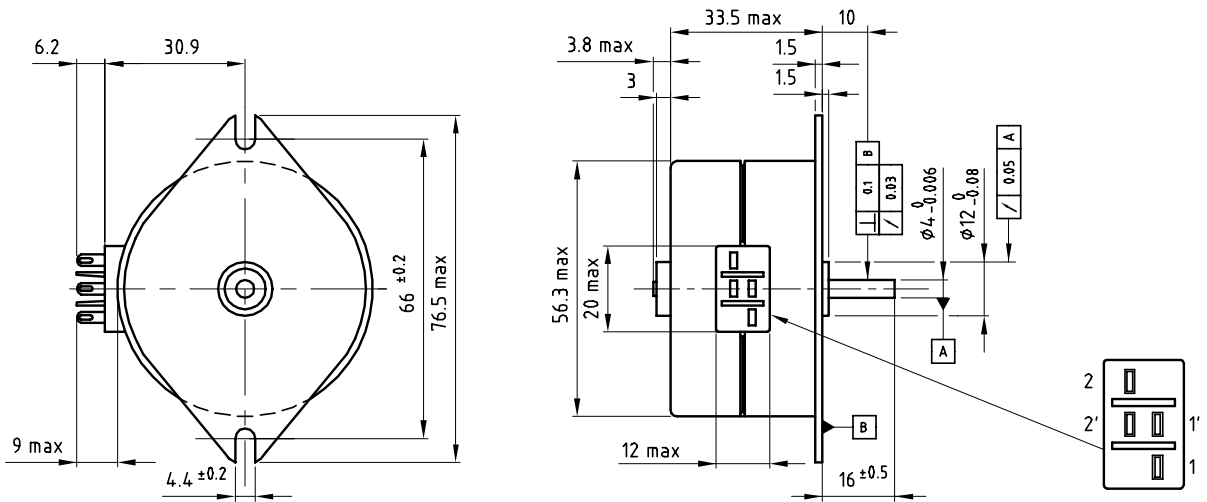


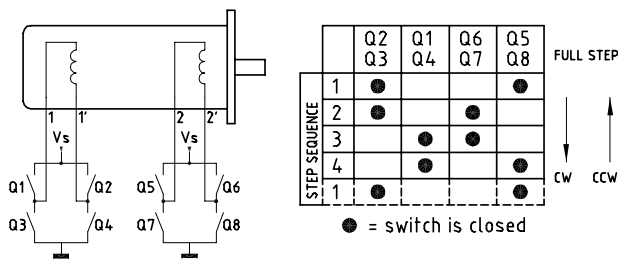
Dimensional drawing



Motor data

Motor order number	9904 112 +	36214	
Number of phases		2	
Drive Electronics		Bipolar	
Nominal Voltage	[V]	5	
Number of steps per revolution		24	
Step angle	[°]	15	
Step angle tolerance	[°]	± 0.7	
Max. working Torque	[mNm]	48	
Holding Torque	[mNm]	65	
Absorbed power	[W]	5	
Resistance per phase	[Ohm]	8.5	
Inductance per phase	[mH]	55	
Current per phase	[mA]	500	
Thermal resistance winding-ambient	[K/W]	11	
Rotor Moment of Inertia	[kgm ²]	4.5x10 ⁻⁶	

Electrical Connection



General data

x	Type of bearings	sleeve	
x	Maximum radial load	10	N
x	Maximum axial load	1.5	N
x	Ambient temp. range operating	-20/+70	°C
x	Ambient temp. range storage	-40/+100	°C
x	Mass of motor	300	g

Product combinations

- x Gearbox S70A (Motor shaft must be Ø3x8.2)
- x Gearbox S70B (Motor shaft must be Ø3x8.2)