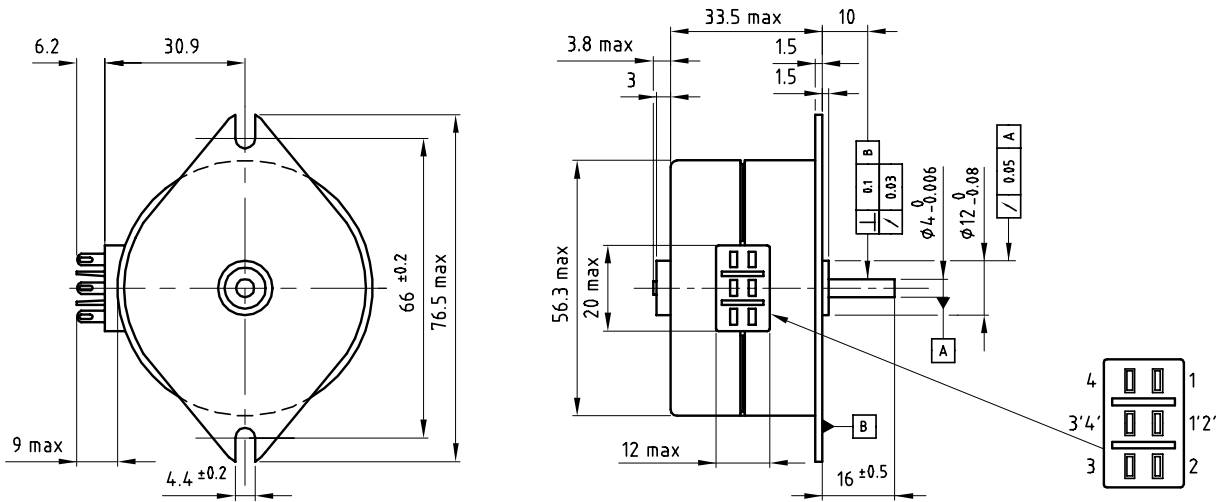


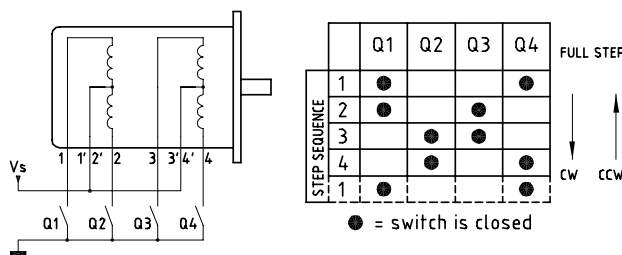
Dimensional drawing



Motor data

Motor order number	9904 112 +	35114	35014		35116	35016
Number of phases		4	4		4	4
Drive Electronics		Unipolar	Unipolar		Unipolar	Unipolar
Nominal Voltage	[V]	5	12		5	12
Number of steps per revolution		48	48		48	48
Step angle	[°]	7.5	7.5		7.5	7.5
Step angle tolerance	[°]	± 0.4	± 0.4		± 0.4	± 0.4
Max. working Torque	[mNm]	65	57		80	78
Holding Torque	[mNm]	85	85		100	100
Absorbed power	[W]	5.3	5.3		5.3	5.3
Resistance per phase	[Ohm]	7.7	4.7		7.7	4.7
Inductance per phase	[mH]	65	4.00		65	4.00
Current per phase	[mA]	575	240		575	240
Thermal resistance winding-ambient	[K/W]	10	10		10	10
Rotor Moment of Inertia	[kgm ²]	4.5x10 ⁻⁶	4.5x10 ⁻⁶		4.5x10 ⁻⁶	4.5x10 ⁻⁶

Electrical Connection



General data

x	Type of bearings	sleeve	
x	Maximum radial load	10	N
x	Maximum axial load	1.5	N
x	Ambient temp. range operating	-20/+70	°C
x	Ambient temp. range storage	-40/+100	°C
x	Mass of motor	300	g

Product combinations

- x Gearbox S70A (Motor shaft must be $\phi 3 \times 8.2$)
- x Gearbox S70B (Motor shaft must be $\phi 3 \times 8.2$)