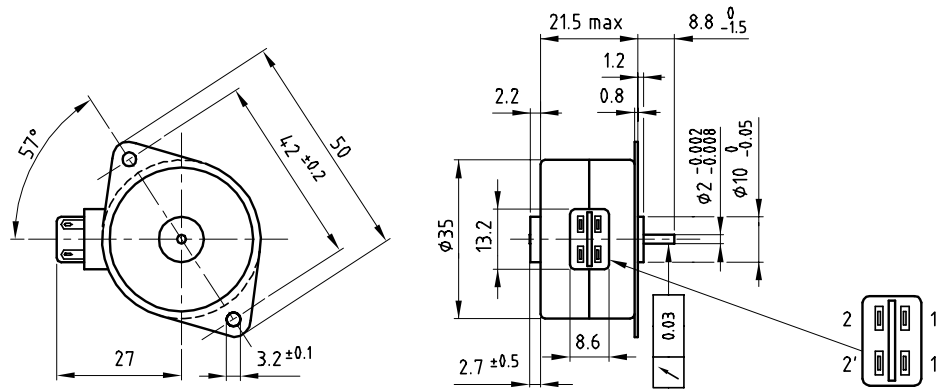


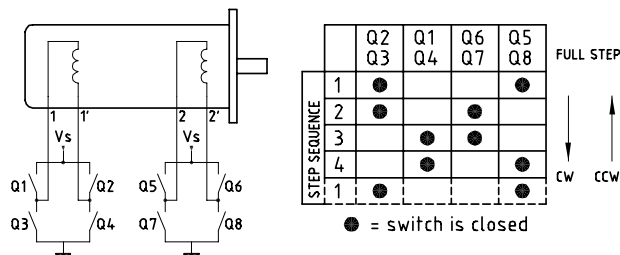
Dimensional drawing



Motor data

Motor order number	9904 112 +	32204	
Number of phases		2	
Drive Electronics		Bipolar	
Nominal Voltage	[V]	5	
Number of steps per revolution		48	
Step angle	[°]	7.5	
Step angle tolerance	[°]	± 0.7	
Max. working Torque	[mNm]	8.5	
Holding Torque	[mNm]	11.5	
Absorbed power	[W]	2	
Resistance per phase	[Ohm]	7.7	
Inductance per phase	[mH]	16	
Current per phase	[mA]	360	
Thermal resistance winding-ambient	[K/W]	25	
Rotor Moment of Inertia	[kgm ²]	0.26x10 ⁻⁶	

Electrical Connection



General data

x	Type of bearings	sleeve	
x	Maximum radial load	2.5	N
x	Maximum axial load	0.75	N
x	Ambient temp. range operating	-20/+70	°C
x	Ambient temp. range storage	-40/+100	°C
x	Mass of motor	70	g

Product combinations

- x Gearbox S49A
- x Gearbox S52A
- x Gearbox S70A