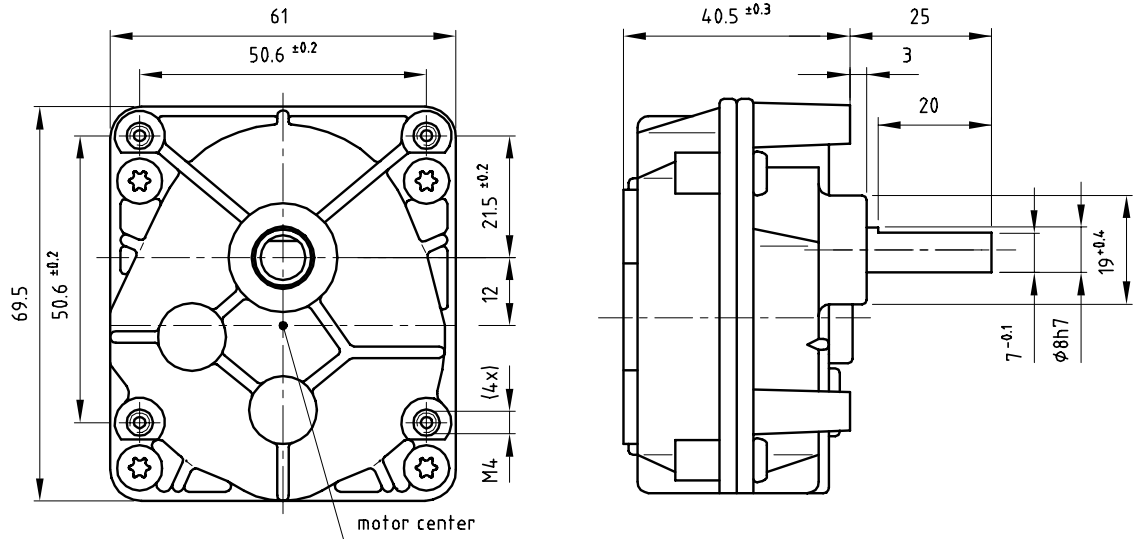


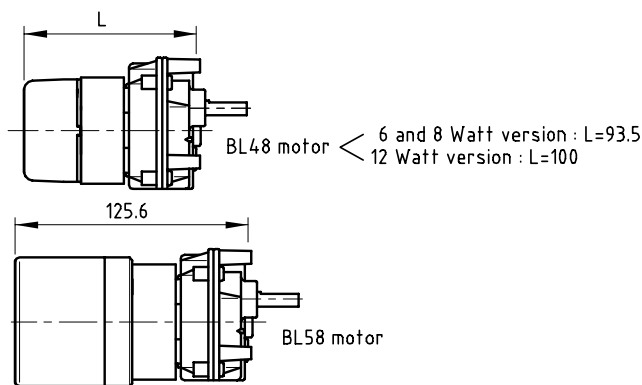
Dimensional drawing



Gearbox data

Gearbox Order number	Ratio	Exact ratio	Number of stages	Efficiency [%]	Maximum torque continuous [Nm]	Direction of rotation w.r.t. motor	Weight [g]
S69A0014AA	14:1	13.75:1	2	81	5	=	290
S69A0027AA	27:1	27.4:1	2	81	5	=	290
S69A0054AA	54:1	54.4:1	3	73	7	≠	305
S69A0095AA	95:1	94.8:1	3	73	7	≠	305
S69A0146AA	146:1	145.7:1	3	73	7	≠	305
S69A0276AA	276:1	276:1	4	66	9	=	315
S69A0537AA	537:1	537:1	4	66	9	=	315

Product combinations



Order number of motor/gearbox :
Last 6 digits of motor number + gearbox number

General data

* Bearing on output shaft	needle / sleeve	
* Maximum radial load 17 mm from mounting face	120	N
* Maximum axial load	4.0	N
* Max. recommended input speed	5000	rpm
* Max. backlash at nominal load	1.6	°
* Temperature range	-30/+80	°C

Options

- * Other standard ratios
- * Special shafts
- * Double sleeve bearing or double needle bearing
- * Pivot bearing for higher axial loads
- * Lower backlash version