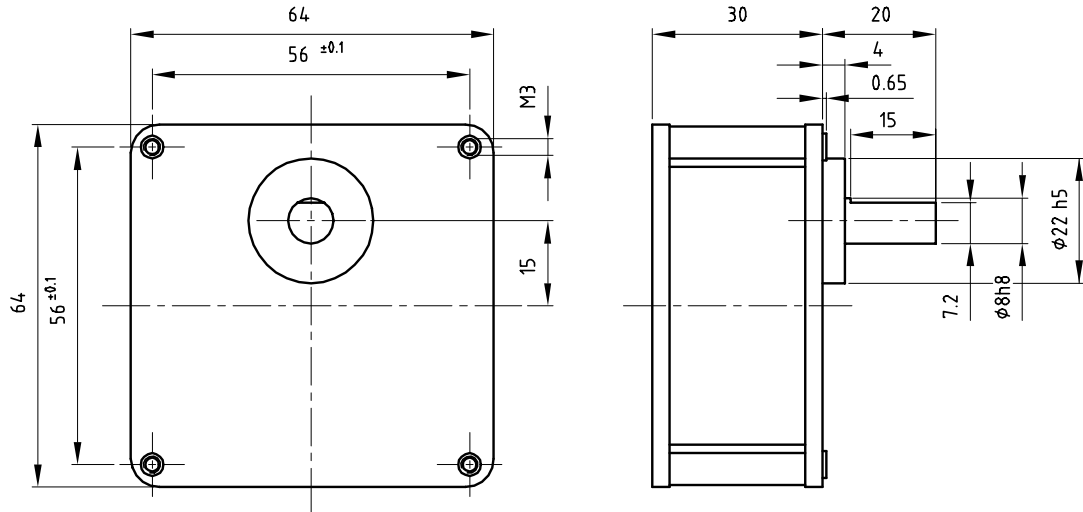


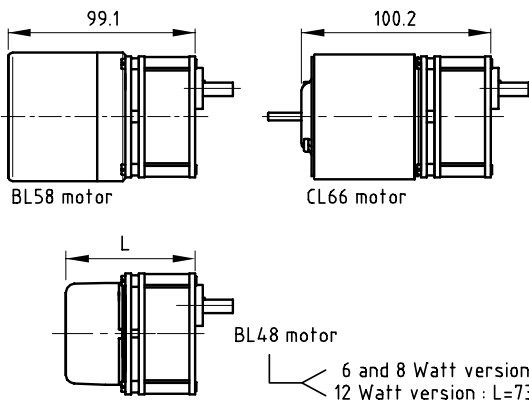
Dimensional drawing



Gearbox data

Gearbox Order number	Exact ratio	Number of stages	Efficiency [%]	Maximum torque continuous [Nm]	Maximum torque intermittent [Nm]	Direction of rotation w.r.t. motor
S64A0005AA	5:1	2	81	0.5	0.75	=
S64A0012AA	12.5:1	3	73	1	1.5	≠
S64A0025AA	25:1	4	66	3	4.5	=
S64A0050AA	50:1	4	66	3	4.5	=
S64A0100AA	100:1	5	59	3	4.5	≠
S64A0125AA	125:1	5	59	3	4.5	≠
S64A0250AA	250:1	5	59	3	4.5	≠

Product combinations



General data

* Bearing on output shaft	ball	
* Maximum radial load	50	N
* Maximum axial load	20	N
* Max. recommended input speed	5000	rpm
* Backlash per stage	0.2	°
* Temperature range	-20/+65	°C
* Weight	ca. 200	g

Options

- * Additional standard ratios
- * Custom ratios
- * Special shafts

Order number of gearmotor :

Last 6 digits of motor number + gearbox number