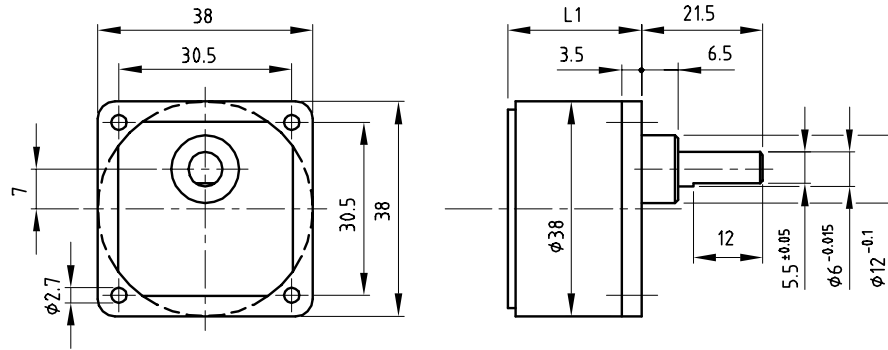


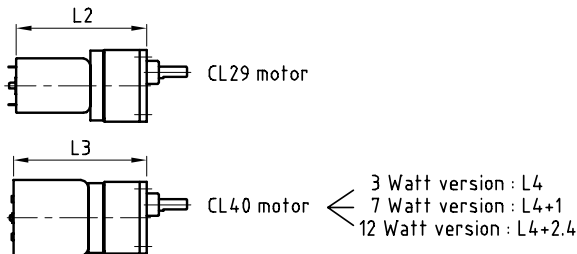
Dimensional drawing



Gearbox data

Gearbox Order number	Ratio	Exact ratio	Number of stages	Efficiency [%]	Maximum torque continuous [Nm]	Maximum torque intermittent [Nm]	Direction of rotation w.r.t. motor	Weight [g]	L1 [mm]	L2 [mm]	L3 [mm]
S38A0006AA	6:1	5.85:1	2	82	0.15	0.3	=	55	16	61.4	62.8
S38A0010AA	10:1	9.69:1	2	82	0.15	0.4	=	55	16	61.4	62.8
S38A0018AA	18:1	17.55:1	3	74	0.25	0.6	≠	60	18.5	63.9	65.3
S38A0030AA	30:1	29.07:1	3	74	0.25	0.7	≠	60	18.5	63.9	65.3
S38A0060AA	60:1	59.67:1	4	67	0.4	1.8	=	65	21	66.4	67.8
S38A0100AA	100:1	98.85:1	4	67	0.7	1.8	=	65	21	66.4	67.8
S38A0200AA	200:1	202.88:1	5	61	0.7	1.8	≠	70	23.5	68.9	70.3
S38A0500AA	500:1	501.17:1	6	55	0.7	2.0	=	75	26	71.4	72.8
S38A0900AA	900:1	889.62:1	6	55	0.7	2.0	=	75	26	71.4	72.8

Product combinations



Order number of motor/gearbox :

Last 6 digits of motor number + gearbox number

General data

*	Bearing on output shaft	sleeve	
*	Maximum radial load 5 mm from bearing	45	N
*	Maximum axial load	30	N
*	Maximum press on force	450	N
*	Radial play, 5 mm from bearing	<0.1	mm
*	Axial play	max. 0.2	mm
*	Max. recommended input speed	5000	rpm
*	Backlash at no load	1	°
*	Backlash at nominal load	3	°
*	Temperature range	-10/+90	°C

Options

- * Custom ratios
- * Custom shafts