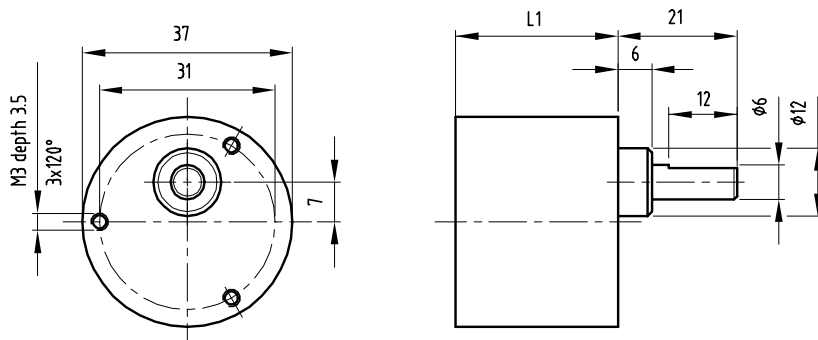


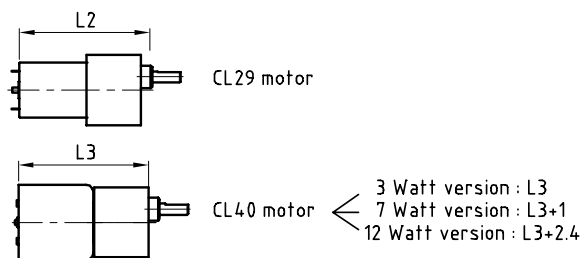
Dimensional drawing



Gearbox data

Gearbox Order number	Ratio	Number of stages	Efficiency [%]	Maximum torque continuous [Nm]	Maximum torque intermittent [Nm]	Direction of rotation w.r.t. motor	Weight [g]	L1 [mm] without adapter	L2 [mm]	L3 [mm]
S37A0010AA	10:1	2	81	0.1	0.3	=			59.3	63.7
S37A0018AA	18:1	3	73	0.1	0.3	≠			61.8	66.2
S37A0030AA	30:1	3	73	0.2	0.6	≠			61.8	66.2
S37A0060AA	60:1	4	66	0.3	0.9	=			64.3	68.7
S37A0075AA	75:1	4	66	0.4	1.2	=			64.3	68.7
S37A0100AA	100:1	4	66	0.6	1.8	=			64.3	68.7
S37A0150AA	150:1	5	59	0.6	1.8	≠			66.8	71.2
S37A0200AA	200:1	5	59	0.6	1.8	≠			66.8	71.2
S37A0500AA	500:1	6	53	0.6	1.8	=			69.3	73.7
S37A0900AA	900:1	6	53	0.6	1.8	=			69.3	73.7

Product combinations



Order number of motor/gearbox :

Last 6 digits of motor number + gearbox number

General data

* Bearing on output shaft	sleeve	
* Maximum radial load	1.1	N
* Maximum axial load	4.5	N
* Maximum press on force	450	N
* Radial play of shaft	<=0.1	mm
* Axial play of shaft	0.1 - 0.6	mm
* Max. recommended input speed	6000	rpm
* Backlash at no load		°
* Backlash at nominal load		°
* Temperature range	-10/+60	°C

Options

- * Other standard ratios
- * Custom shafts