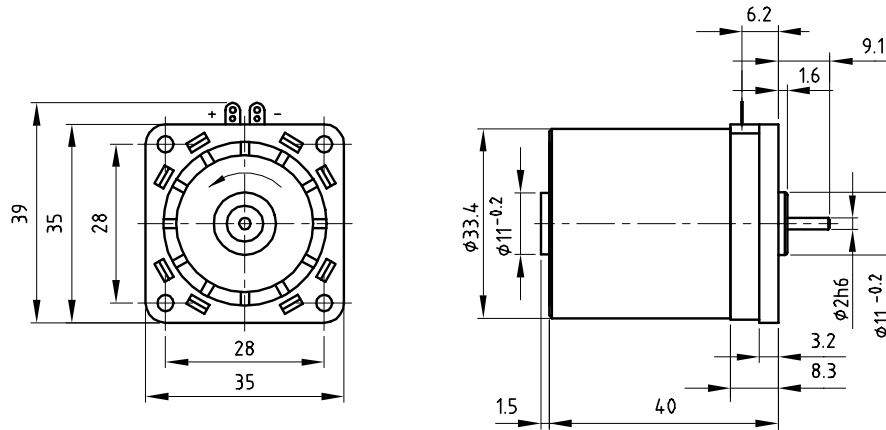


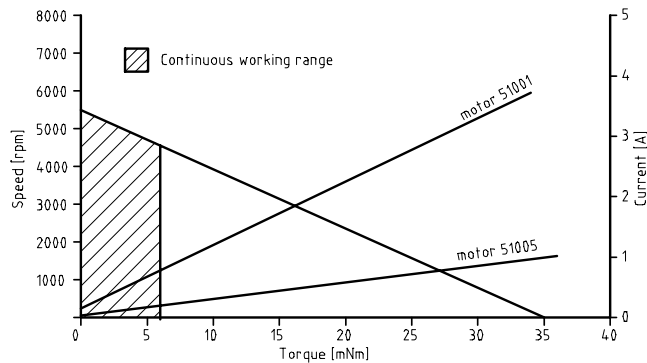
Dimensional drawing



Motor data

Motor order number		51001	51002	51003	51004	51005
9904 120 +						
Nominal Voltage	[V]	6	9	12	18	24
Nominal Torque	[mNm]	6	6	6	6	6
Nominal Speed	[rpm]	4750	4570	4890	4580	4660
Nominal Current	[mA]	775	490	395	250	190
No load Speed	[rpm]	5770	5510	5790	5520	5530
No load Current	[mA]	155	98	84	49	39
EMF at 3000 rpm	[V]	3.0	4.7	6.0	9.4	12.5
Torque constant	[mNm/A]	9.5	15	19	30	4.0
Terminal Resistance	[Ohm]	1.7	3.8	5.8	15	25
Starting Torque at nominal Voltage	[mNm]	34	39	38	38	36
Starting Current at nominal Voltage	[A]	3.7	2.4	2.1	1.2	1.0
Thermal resistance winding-housing	[K/W]	21	21	21	21	21
Thermal resistance housing-ambient	[K/W]	12	12	12	12	12

Performance curve



General data

*	Type of bearings	sleeve	
*	Commutation system	graphite / copper	
*	Maximum radial load 10 mm from mounting front	2.5	N
*	Maximum axial load	2	N
*	Ambient temp. range operating	-10/+60	°C
*	Ambient temp. range storage	-40/+70	°C
*	Mass of motor	100	g

Options

- * Special shafts
- * Other supply voltages
- * Geared version