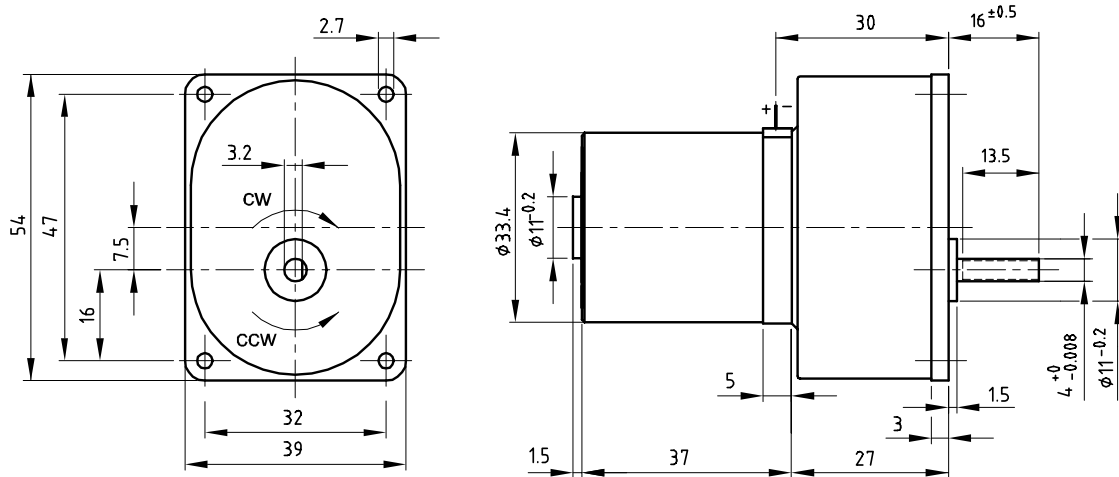


Dimensional drawing



Gear Motor data

| Gear motor | | Gear ratio | Direction of rotation | Nominal voltage [V] | Maximal voltage [V] | Maximum torque continuous [Nm] (nominal load) | Maximum torque intermittent [Nm] | Speed at no load [rpm] | Speed at nominal load [rpm] | Current at no load [mA] | Current at nominal load [mA] | Maximal radial force [N] | Maximal axial force [N] |
|---------------|-----|------------|-----------------------|---------------------|---------------------|---|----------------------------------|------------------------|-----------------------------|-------------------------|------------------------------|--------------------------|-------------------------|
| Order number | | | | | | | | | | | | | |
| 9904 120 55 + | 406 | 81:1 | cw | 6 | 7.2 | 0.30 | 0.80 | 75 | 65 | 190 | 760 | 10 | 10 |
| | 606 | | | 12 | 14.4 | | | 70 | 60 | 85 | 350 | | |
| | 706 | | | 24 | 28.8 | | | 70 | 60 | 43 | 175 | | |

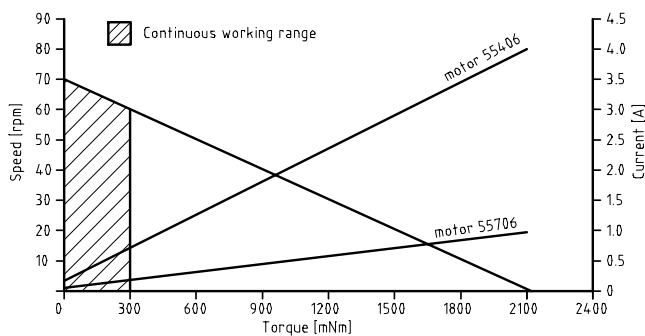
Motor data

| | Nominal Voltage [V] | Terminal resistance [Ohm] | Speed at no load [rpm] | Stall torque [mNm] | Torque const. [mNm/A] |
|----------------|---------------------|---------------------------|------------------------|--------------------|-----------------------|
| 9904 120 55406 | 6 | 1.5 | 6200 | 34 | 9 |
| 9904 120 55606 | 12 | 5.7 | 5800 | 35 | 19 |
| 9904 120 55706 | 24 | 24.4 | 5800 | 36 | 38 |

General data

| | | | |
|---|------------------------------------|-------------------|-----|
| * | Type of bearings | sleeve | |
| * | Commutation system | graphite / copper | |
| * | Gear material | plastic | |
| * | Axial play | 0.5 | mm |
| * | Ambient temp. range operating | -20/+60 | °C |
| * | Ambient temp. range storage | -40/+70 | °C |
| * | Thermal resistance winding-ambient | 30 | K/W |
| * | Mass of gear motor | 125 | g |

Performance curve



Options

- * Special shafts
- * Other supply voltage