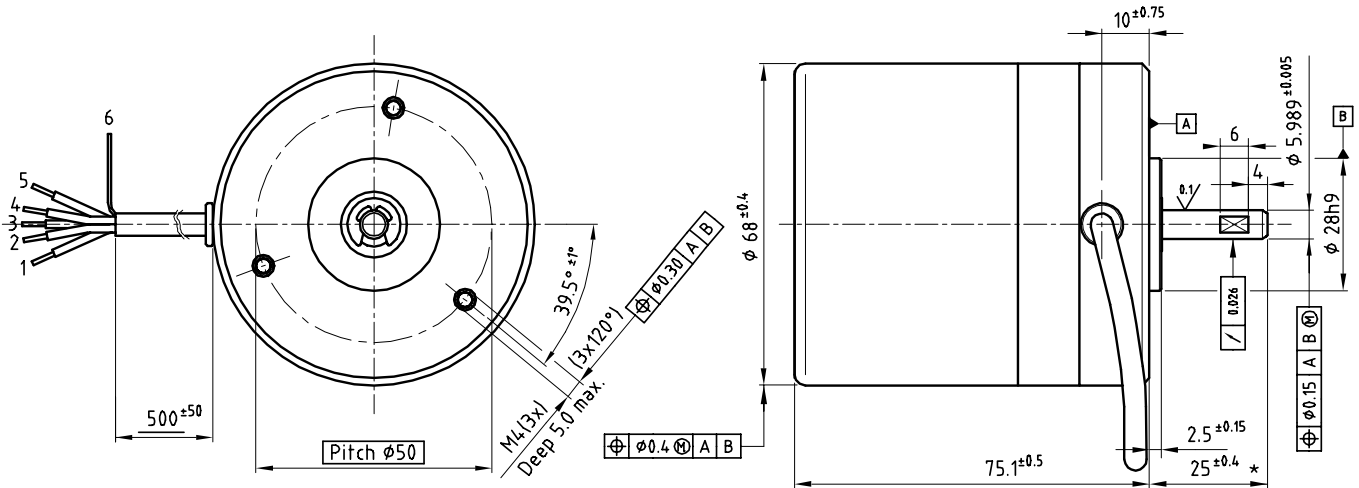


Dimensional drawing



Motor data

Motor order number	Shaft length 25 mm	4322 016 58051
	Shaft length 20 mm	4322 016 58052 *
Nominal Voltage	[V]	36
No load Speed (V in > 4V)	[rpm]	4050
No load Current (V in > 4V)	[mA]	220
Nominal Current limitation (V in > 4V)	[A]	3.0
Maximum torque	[mNm]	210
Maximum output power	[W]	70
Operating temperature range	[°C]	0 to 90
Thermal resistance from housing to ambient	[K/W]	3.7
Rotor inertia	[kgm <sup>2</sup> ]	120x10 <sup>-6</sup>
Mass of motor	[g]	600

Maximum radial load 20 mm from mounting front (no axial load towards flange)	[N]	40
Maximum axial load - towards flange (no radial load) - from flange	[N]	18
	[N]	10

Thermal motor protection :

Motor shuts down if the motor flange temperature reaches approx. 90°C  
 Motor restarts if the flange temperature is cooled down to approx. 80°C

For thermal reasons it is advised to mount the motor on a heat conducting frame if high output power is desired.

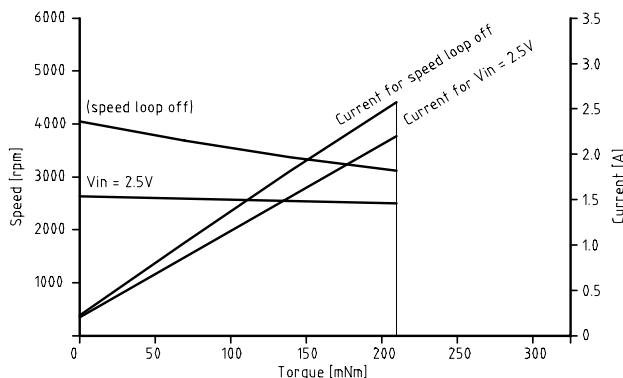
\* Shaft 20 mm for combination with gearbox

Electrical Connection

Lead no.	Lead colour	Function	Description
1	brown	FW/RV	Direction control input : 'High' CW, 'Low' CCW (shaftside) (do not leave this lead floating)
2	white	V in	Input voltage (setpoint) for speed loop Resulting speed approx. 1000 rpm/V V in > 4 V : motor at full speed, speedloop off (open loop)
3	green	FG	Frequency generator output, 36 ppr ; R out = 4k Ohm (approx)
4	black	GND	Motor return, ground (0 V)
5	red	Vp	Motor supply voltage +36 V (min. 23 V - max 40 V)
6	bare	shield	Shield for cable and connected to motor housing

		min.	typ.	max.
<b>Lead 1</b>				
input 'high'	[V]	4.1	5	
input 'low'	[V]		0	1.9
abs. max./min. input	[V]			±30
<b>Lead 2</b>				
abs. max./min. input	[V]			±30
<b>Lead 3</b>				
output 'high', not loaded	[V]	4.0	4.5	5.0
output 'low', not loaded	[V]	0	0.1	0.2

Performance curve



Product combinations

- \* Gearbox S64A
- \* Gearbox S69A
- \* Gearbox P50A
- \* Gearbox P59A

Options

- \* Square mounting flange
- \* Shaft diameter, 7 or 8 mm
- \* Speed loop with frequency input
- \* Protection class upto IP67DS

Features

- \* Adjustable speed loop
- \* Direction control input (forward / reverse)
- \* Frequency Generator output (speed sensing)
- \* Thermal motor protection
- \* Long life (20.000 hours)
- \* Low EMI
- \* Protection class IP54

**PREMOTEC**

PRECISION MOTOR TECHNOLOGY BV

Precision Motor Technology b.v. - Kerkeplaat 16 - 3313 LC - Dordrecht - The Netherlands - Tel.: +31 78 621 99 40 - Fax.: +31 78 621 48 28

2000-04-25 / subject to change

Internet : www.premotec.com - E-mail : sales@premotec.com